




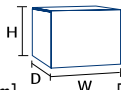

**Scale Ice
Makers Units**

**Unité de
Production
de Glace
en Ecailles**

**Scherbeneis
Produktions-
einheit**

**Fabricador
de Hielo
en Escamas**

**Unità di
Produzione
Ghiaccio
in scaglie**

					
		[kg] [lbs]	[v/Hz/ph]	[WxDxH mm] [WxDxH inches]	
EVE 201	Fresh Water	1400 - 1900 3090-4190	400/50Hz/3ph 230/60Hz/3ph	1250x1050x1340 49 1/4" x 41 3/8" x 52 3/4"	R 404a/R22
EVE 301	Fresh Water	2100 - 2900 4630-6390	400/50Hz/3ph 230/60Hz/3ph	1250x1050x1540 49 1/4" x 41 3/8" x 60 5/8"	R 404a/R22
EVE 401	Fresh Water	3400 - 4000 7500-8820	400/50Hz/3ph 230/60Hz/3ph	1250x1050x1770 49 1/4" x 41 3/8" x 69 5/8"	R 404a/R22
EVE 651	Fresh Water	5000 - 6200 11020-13670	400/50Hz/3ph 230/60Hz/3ph	1440x1350x1750 56 3/4" x 53 1/8" x 68 7/8"	R 404a/R22
EVE 801	Fresh Water	6500 - 7700 14330-16970	400/50Hz/3ph 230/60Hz/3ph	1440x1350x1950 56 3/4" x 53 1/8" x 76 3/4"	R 404a/R22
EVE 1001	Fresh Water	8500 - 10000 18740-22040	400/50Hz/3ph 230/60Hz/3ph	1500x1700x1990 59" x 66 7/8" x 78 3/8"	R 404a/R22/R717
EVE 1301	Fresh Water	10000 - 12500 22040-27550	400/50Hz/3ph 230/60Hz/3ph	1500x1700x2290 59" x 66 7/8" x 90 1/8"	R 404a/R22/R717
EVE 1501	Fresh Water	13500 - 15000 29760-33060	400/50Hz/3ph 230/60Hz/3ph	1500x1700x2490 (*) 59" x 66 7/8" x 98"	R 404a/R22/R717
EVE 2401	Fresh Water	20500 - 23000 45180-50690	400/50Hz/3ph 230/60Hz/3ph	2250x2100x2725 (*) 88 5/8"x82 5/8"x 107 1/4"	R 404a/R22/R717

*It is possible to reduce height by removing and relocating the water reservoir

1

**Years Warranty
Ans de Garantie
Jahre Garantie
Años de Garantía
Anni di Garanzia**

Subject to certain limitations and exclusions
Assujettie aux limites et exclusions prescrites
Abhängig von Bestimmten Einschränkungen und Ausnahmen
Sujeta a algunas limitaciones y exclusiones
Soggetta ad alcune limitazioni ed esclusioni

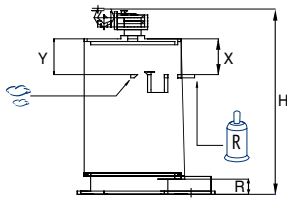
CE
0474

This product qualifies for the following listings:

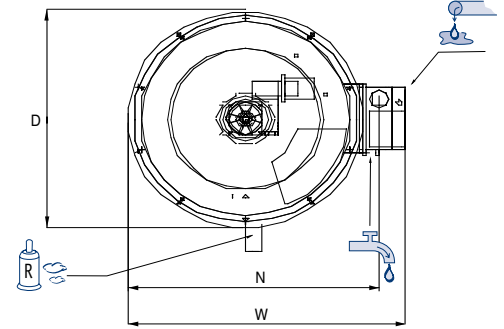
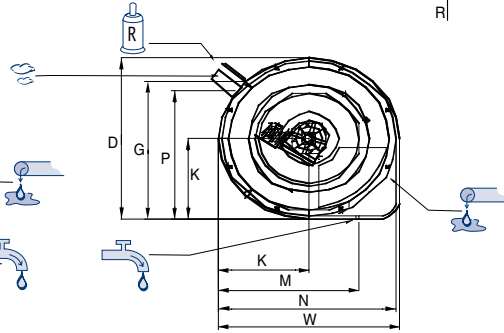
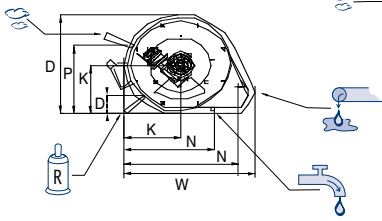
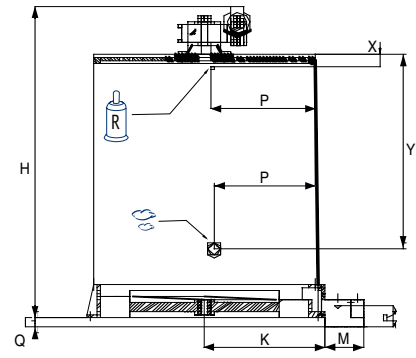
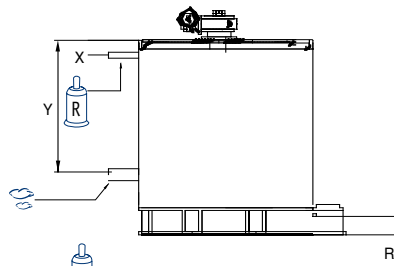


Models and specifications are subject to change without notice - Les modeles et les caracteristiques des appareils peuvent être changés sans préavis - Wir behalten das Recht vor jederzeit Änderungen der Modelle und der technischen Angaben vorzunehmen.
Los modelos y las características pueden ser modificados en cualquier momento sin previo aviso - I modelli e le specifiche possono essere cambiate in qualunque momento senza preavviso

EVE 201/301/401/651/801



EVE 1001/1301/1501



		Evap. Temp. (-28°C/-18°F) Water temp. +15°C/+59°F [W]	W mm	D mm	H mm	M mm	N mm	P mm	Q mm	R mm	K mm	X mm	Y mm	Ice Outlet (Ø mm)	Inlet water Ø (inches)	Overflow Ø (mm)	Liquid Pipe Ø (mm)	Suction Pipe Ø (mm)	SCRAPER MOTOR [KW]	PUMP MOTOR [KW]	[kg] [lbs]	[kg] [lbs]
EVE 201	Expansion Valve	10.000	900	784	1030	625	805	545	110	125	395	285	285	420	1/2	10	12	42	0,25	0,20	285 628	335 739
EVE 301	Expansion Valve	14.600	900	784	1230	625	805	545	110	125	395	285	285	420	1/2	10	12	42	0,25	0,20	305 672	355 783
EVE 401	Expansion Valve	19.800	900	784	1450	625	805	545	110	125	395	285	285	420	1/2	10	12	42	0,25	0,20	365 804	415 915
EVE 651	Expansion Valve	33.500	1140	1080	1510	800	1110	840	235	140	540	335	275	670	1/2	10	16	60	0,37	0,20	650 1433	730 1.610
EVE 801	Expansion Valve	44.200	1140	1080	1710	800	1110	840	235	140	540	335	275	670	1/2	10	16	60	0,37	0,20	880 1.940	960 2.117
EVE 1001	Expansion Valve	55.900	1260	1260	1790	975	1240	1005	1075	150	630	120	1050	840	3/4	10	28	89	0,55	0,20	1030 2.270	1.150 2.535
EVE 1301	Expansion Valve	67.500	1260	1260	2090	975	1240	1005	1075	150	630	120	1325	840	3/4	10	28	89	0,55	0,20	1.230 2.711	1.350 2.976
EVE 1501	Expansion Valve	89.600	1260	1260	2290	975	1240	1005	1075	150	630	120	1430	840	3/4	10	28	114	0,55	0,20	1.350 2.975	1.470 3.240
EVE 2401	Expansion Valve	133.800	1990	1680	2425	295	1795	745	90	160	854	120	1430	1030	3/4	10	28	114	0,75	0,20	2.400 5.250	2.620 5.732

Minimum		Maximum	Minimum		Maximum
2°C (36°F)		40°C (104°F)	-10%		+10%
5°C (41°F)		35°C (95°F)	1 BAR 14 psi		5 BAR 70 psi

Features:
 AISI 304 Stainless steel evaporator complete of expansion valve /refrigerant level control (R404a/R22); base and cover in Peralluman; dosing water pump; dripping-pan; gear-motor with system for ice-scraper rotation; All versions are certified CE/PED.

Caractéristiques:
 évaporateur en acier inox AISI304 complet de détendeur /contrôle de niveau (R404a/R22); basement et couvercle en Peralluman; pompe dosage eau/sel; bassin écoulement eau; moteur qui entraîne fraise hélicoïdale acier. Tous les modèles sont certifiés CE/PED.

Technische Beschreibung:
 Verdampfer aus AISI 304 Edelstahl komplett mit Expansionsventil und Kältemittelfüllstandsanzeige (R404a / R 22). Rahmen und Abdeckung aus Peralluman. Dosierpumpe für Salz /Wasser. Auffangschale. Getriebemotor mit Eisbrechereinheit. Alle Modelle sind zertifiziert mit CE/PED.

Características Técnicas:
 Evaporador de acero AISI 304 compuesto de válvula termostática/control de nivel (R404a/R22); base y tapa de Peralluman; bomba dosatrice agua/sal; bandeja desagüe; motor rotación rompe-hielo de acero inox. Todos los modelos están certificados CE/PED.

Caratteristiche tecniche:
 evaporatore in acciaio inox AISI304 completo di valvola termostatica/regolatore di livello (R404a/R22); base e coperchio in Peralluman; pompa dosatrice acqua/sale; ghiotta raccogli condensa; motoriduttore per rotazione rompighiaccio in acciaio inox. Tutte le macchine sono certificate CE/PED.

Scotsman® The one the world relies on.
 Ice Systems

Certified ISO 9001:2000					
USA, Canada, Latin America Scotsman Ice Systems USA 775 Corporate Woods Parkway Vernon Hills, IL 60061 Ph: (+1) 847 215-4550 Fax (+1) 847 913-9844 customer.service@scotsman-ice.com	Europe Scotsman Europe-Frimont S.p.A. Via Puccini, 22 20010 Pogliano (Milano) Italy Ph: (+39) 02-93960208 Fax: (+39) 02-93960201 scotsman.europe@frimont.it	Asia and Pacific Scotsman Ice Systems-Frimont S.p.A. (R.O.) 627A Aljunied Road #04-04 Biztech Centre Singapore 389842 Ph: (+65) 6738 5393 Fax: (+65) 6738 1959 scotsice@singnet.com.sg	China Scotsman Ice Systems (Shanghai) Co., Ltd Room 405-407 Jing'an China Tower 1701 West Beijing Road-200040 Shanghai Ph: (+86) 21-62476056-Fax: (+86) 21-62476126 scotsmansh@online.sh.cn	Middle East & N. Africa Scotsman Ice Systems Dubai Office P.o. Box 21648 Sharjah - U.A.E. Mobile: Ph: (+971) 505505980 Fax (+971) 6-5654063 scotsman@eim.ae	ICE SYSTEMS (Pty) Ltd 21Atlas rd, Dunswart, Boksburg P.O. Box 6766, Dunswart, 1058 Tel: (+27) 11-9185065 Fax: (+27) 11-9185068 www.icesystems.co.za