

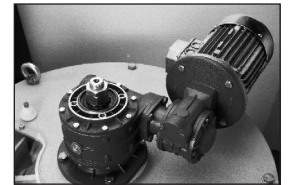
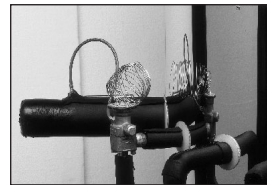
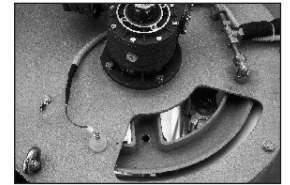
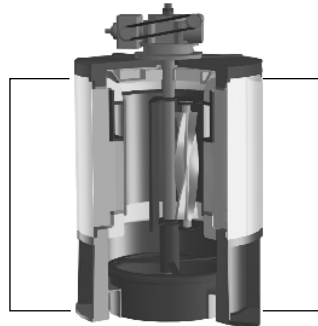


EVE

ON-BOARD

SPLIT VERSION

COMPACT VERSION



Scale Ice Makers Units

Unité de Production de Glace en Ecailles

Scherbeneis Produktions-einheit

Fabricador de Hielo en Escamas

Unità di Produzione Ghiaccio in scaglie

Fresh Water	Sea Water	24h			Dimensions		
	NaCl	[kg]	[lbs]	[v/Hz/ph]	[WxDxH mm]	[WxDxH inches]	
EVE 201 FW	EVE 201 SW	1400 - 1900	3090-4190	400/50Hz/3ph 230/60Hz/3ph	1250x1050x1340	49 1/4" x 41 3/8" x 52 3/4"	R 404a/R22
EVE 301 FW	EVE 301 SW	2100 - 2900	4630-6390	400/50Hz/3ph 230/60Hz/3ph	1250x1050x1540	49 1/4" x 41 3/8" x 60 5/8"	R 404a/R22
EVE 401 FW	EVE 401 SW	3400 - 4000	7500-8820	400/50Hz/3ph 230/60Hz/3ph	1250x1050x1770	49 1/4" x 41 3/8" x 69 5/8"	R 404a/R22
EVE 651 FW	EVE 651 SW	5000 - 6200	11020-13670	400/50Hz/3ph 230/60Hz/3ph	1440x1350x1900	56 3/4" x 53 1/8" x 74 3/4"	R 404a/R22
EVE 801 FW	EVE 801 SW	6500 - 7700	14330-16970	400/50Hz/3ph 230/60Hz/3ph	1440x1350x2100	56 3/4" x 53 1/8" x 82 5/8"	R 404a/R22
EVE 1001 FW	EVE 1001 SW	8500 - 10000	18740-22040	400/50Hz/3ph 230/60Hz/3ph	1500x1700x2200	59" x 66 7/8" x 86 5/8"	R 404a/R22/R717
EVE 1301 FW	EVE 1301 SW	10000 - 12500	22040-27550	400/50Hz/3ph 230/60Hz/3ph	1500x1700x2500 (*)	59" x 66 7/8" x 98 3/8"	R 404a/R22/R717
EVE 1501 FW	EVE 1501 SW	13500 - 15000	29760-33060	400/50Hz/3ph 230/60Hz/3ph	1500x1700x2670 (*)	59" x 66 7/8" x 105 1/8"	R 404a/R22/R717
EVE 2401 FW	EVE 2401 SW	20500 - 23000	45180-50690	400/50Hz/3ph 230/60Hz/3ph	2250x2100x2850 (*)	88 5/8"x82 5/8"x 112 1/4"	R 404a/R22/R717

*It is possible to reduce height by removing and relocating the water reservoir.

1

Years Warranty
Ans de Garantie
Jahre Garantie
Años de Garantía
Anni di Garanzia

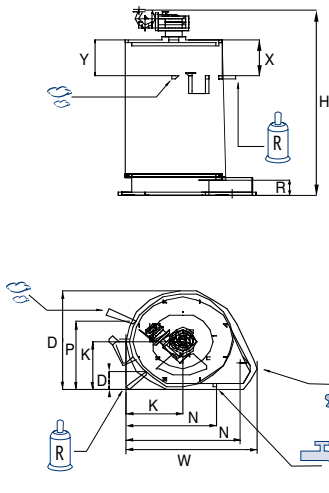
Subject to certain limitations and exclusions
Assujettie aux limites et exclusions prescrites
Abhängig von Bestimmten Einschränkungen und Ausnahmen
Sujeta a algunas limitaciones y exclusiones
Soggetta ad alcune limitazioni ed esclusioni



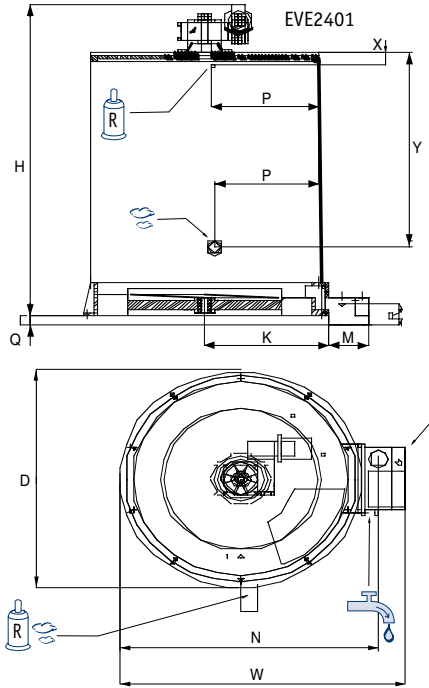
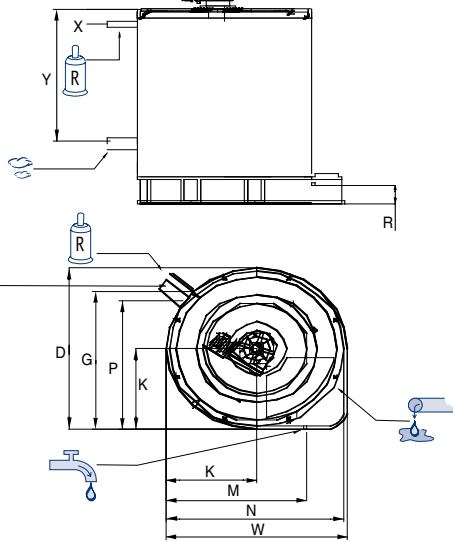
This product qualifies for the following listings:





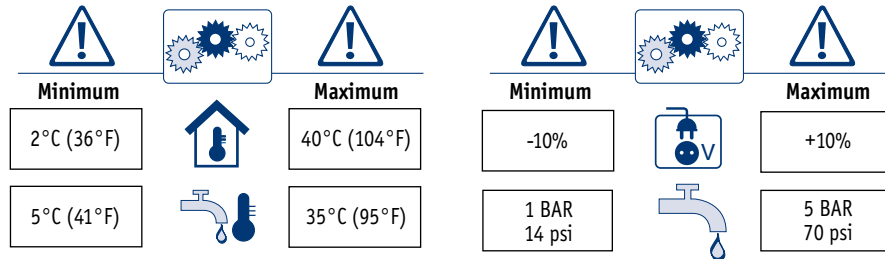
EVE201/301/401/651/801



EVE1001/1301/1501



		FW 	SW 	W	D	H	M	N	P	Q	R	K	X	Y	Ice Outlet Ø(mm)	Inlet water Ø (inches)	Overflow Ø(mm)	Liquid Pipe Ø(mm)	Suction Pipe Ø (mm)	SCRAPER MOTOR [KW]	PUMP MOTOR [KW]	[kg]	[lbs]	[kg]	[lbs]
	Expansion Valve	Evap. Temp. (-28°C/-18°F) Water temp. +15°C/+59°F	Evap. Temp. -35°C/-24°F Water temp. +15°C/+59°F	[W]	[W]	[W]	[W]	[W]	[W]	[W]	[W]	[W]	[W]	[W]	[W]	[W]	[W]	[W]	[W]	[W]	[W]	[W]	[W]	[W]	[W]
EVE201 FW/SW	Expansion Valve	10.000	11.500	900	784	1135	625	805	545	110	125	395	285	285	420	1/2	10	12	42	0,25	0,20	285	628	335	739
EVE301 FW/SW	Expansion Valve	14.535	16.720	900	784	1335	625	805	545	110	125	395	285	285	420	1/2	10	12	42	0,25	0,20	305	672	355	783
EVE401 FW/SW	Expansion Valve	19.770	22.740	900	784	1565	625	805	545	110	125	395	335	285	420	1/2	10	12	42	0,25	0,20	365	804	415	915
EVE651 FW/SW	Expansion Valve	33.490	38.520	1140	1080	1710	800	1110	840	235	140	540	335	275	670	1/2	10	16	60	0,37	0,20	650	1433	730	1.610
EVE801 FW/SW	Expansion Valve	44.190	50.820	1140	1080	1910	800	1110	840	235	140	540	120	275	670	3/4	10	16	60	0,37	0,20	880	1.940	960	2.117
EVE1001 FW/SW	Expansion Valve	55.815	64.200	1260	1260	1990	975	1240	1005	1075	150	630	120	1050	840	3/4	10	28	89	0,55	0,20	1030	2.270	1.150	2.535
EVE1301 FW/SW	Expansion Valve	67.445	77.560	1260	1260	2290	975	1240	1005	1075	150	630	120	1325	840	3/4	10	28	89	0,55	0,20	1.230	2.711	1.350	2.976
EVE1501 FW/SW	Expansion Valve	89.535	102.970	1260	1260	2490	975	1240	1005	1075	150	630	120	1430	840	3/4	10	28	114	0,55	0,20	1.350	2.975	1.470	3.240
EVE2401 FW/SW	Expansion Valve	133.720	153.780	1990	1680	2625	295	1795	745	90	150	854	120	1430	1030	3/4	10	28	114	0,75	0,20	2.400	5.250	2.620	5.732



Features:
 AISI 304 Stainless steel evaporator complete of expansion valve /refrigerant level control (R404a/R22); base and cover in Peralluman; dosing water pump; dripping-pan; gear-motor with system for ice-scrapers rotation; All versions are certified CE/PED, DNV.

Caractéristiques:
 évaporateur en acier inox AISI304 complet de détendeur /contrôle de niveau (R404a/R22) ; basement et couvercle en Peralluman ; pompe dosage eau/sel ; bassin écoulement eau ; moteur qui entraîne fraise hélicoïdale acier. Tous les modèles sont certifiés CE/PED, DNV.

Technische Beschreibung:
 Verdampfer aus AISI 304 Edelstahl komplett mit Expansionsventil und Kältemittelfüllstandsanzeige (R404a/R 22). Rahmen und Abdeckung aus Peralluman. Dosierpumpe für Salz/Wasser. Auffangschale. Getriebemotor mit Eisbrechereinheit. Alle Modelle sind zertifiziert mit CE/PED und DNV.

Características Técnicas:
 Evaporador de acero AISI 304 compuesto de válvula termostática/control de nivel (R404a/R22); base y tapa de Peralluman; bomba alimentación agua/sal; bandeja desagüe; motor rotación rompe-hielo de acero inox. Todos los modelos están certificados CE/PED, DNV.

Caratteristiche tecniche:
 evaporatore in acciaio inox AISI304 completo di valvola termostatica/regolatore di livello (R404a/R22); base e coperchio in Peralluman; pompa dosatrice acqua/sale; ghiotta raccogli condensa; motoriduttore per rotazione rompighiaccio in acciaio inox. Tutte le macchine sono certificate CE/PED, DNV.

Scotsman® The one the world relies on.
 Ice Systems

Certified ISO 9001:2000

<p>USA, Canada, Latin America Scotsman Ice Systems USA 775 Corporate Woods Parkway Vernon Hills, IL 60061 Ph: (+1) 847 215-4550 Fax (+1) 847 913-9844 customer.service@scotsman-ice.com</p>	<p>Europe Scotsman Europe-Frimont S.p.A. Via Puccini, 22 20010 Pogliano (Milano) Italy Ph: (+39) 02-93960208 Fax: (+39) 02-93960201 scotsman.europe@frimont.it</p>	<p>Asia and Pacific Scotsman Ice Systems-Frimont S.p.A. (R.O.) 627A Aljunied Road #04-04 Biztech Centre Singapore 389842 Ph: (+65) 6738 5393 Fax: (+65) 6738 1959 scotsice@singnet.com.sg</p>	<p>China Scotsman Ice Systems (Shanghai) Co., Ltd Room 405-407 Jing'an China Tower 1701 West Beijing Road-200040 Shanghai Ph: (+86) 21-62476056-Fax: (+86) 21-62476126 scotsmansh@online.sh.cn</p>	<p>Middle East & N. Africa Scotsman Ice Systems Dubai Office P.o. Box 21648 Sharjah - U.A.E. Mobile: Ph: (+971) 505505980 Fax (+971) 6-5654063 scotsman@eim.ae</p>	<p>ICE SYSTEMS  (Pty) Ltd 21A Hias rd, Dunswart, Boksburg P.O. Box 6766, Dunswart, 1058 Tel: (+27) 11-9185065 Fax: (+27) 11-9185068 www.icesystems.co.za</p>
--	---	--	---	---	--